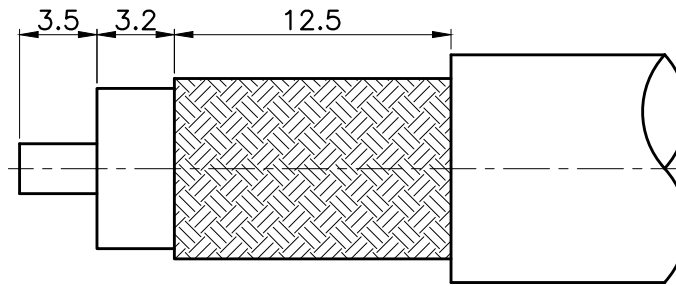
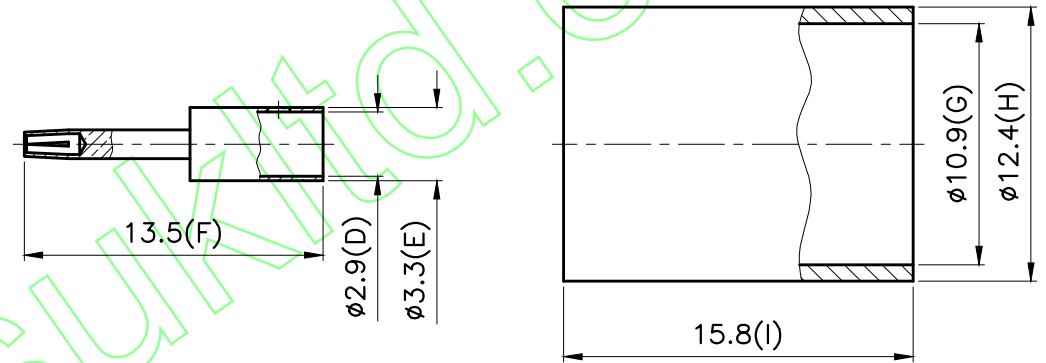
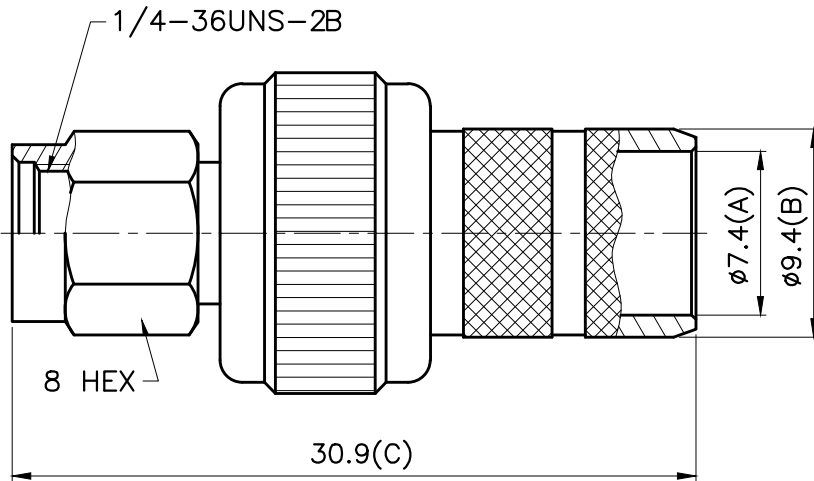


REVISIONS		
ISS	DESCRIPTION	DATE



RoHS COMPLIANT

CABLE STRIPPING DIM'S



1. CRIMPED FERRULE  
HEX CRIMP SIZE .429"
2. CONTACT PIN TO SOLDER

CONNECTORS CABLES



SPECIALISTS LTD.

TITLE: SMA R/P MALE CRIMP  
(FOR LMR400)

PART NO: SMAPCR519R

055

DATE: 04/30/13"

UNIT: mm

DR. NO:

SHEET: .

SCALE: 3/1

APRD:	UNLESS OTHERWISE SPECIFIED TOLERANCES 0.5-6 = ±0.2 >6-30 = ±0.4 >30-120 = ±0.6 >120-315 = ±1 >315-1000 = ±1.6 ANGLES = ±5°	FERRULE	BRASS	NICKEL
CHKD:		CONTACT PIN	PHOSPHOR BRONZE	GOLD
DR:		BODY	BRASS	NICKEL
		INSULATOR	TEFLON	WHITE
DATE: 04/30/13"	UNIT: mm	BODY	BRASS	NICKEL
SHEET: .	SCALE: 3/1	RING	STAINALESS	NONE
		GASKET	SILICONE	RED
		SHELL	BRASS	NICKEL
		NO. DESCRIPTION	MATERIAL	FINISH